



Requirements for Uploading Photos

The digital images prepared for uploading must be no larger than 1920 pixels wide and 1200 pixels high, but have to have at least one of these two maximum dimensions.

So an image with a height of 1200px may have any width less than or equal to 1920px and an image with a width of 1920px may have any height less than or equal to 1200px.

The images must also be stored with 72dpi in JPG format in the RGB color space for viewing on the web and none may exceed the maximum file size of 3 MB. We recommend storing the photos with the web optimization function available, for example, in Adobe Photoshop. Detailed instructions can be found in this » [PDF document](#).

All Requirements for Uploading Photos at a Glance:

File Format:	JPEG (*.jpg)
Colour Space:	RGB
Maximum File Size:	3 MB
Maximum Height:	1200 Pixel
Maximale Width:	1920 Pixel
Resolution:	72dpi

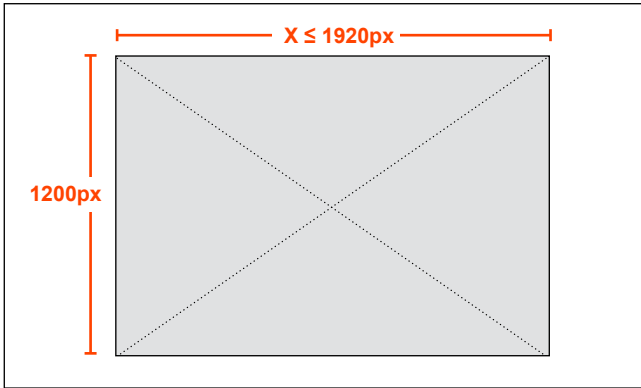


Fig. 1: Example for Landscape Formats

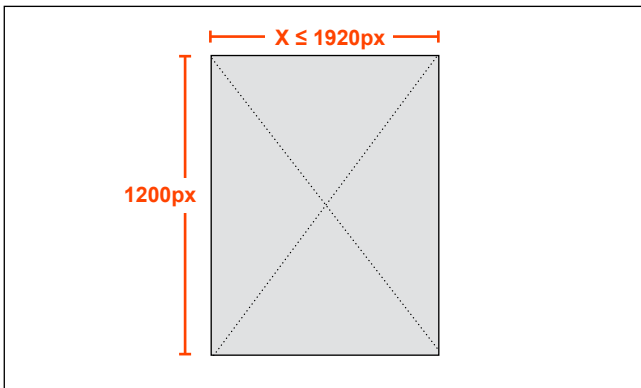


Fig. 2: Example for Upright Formats

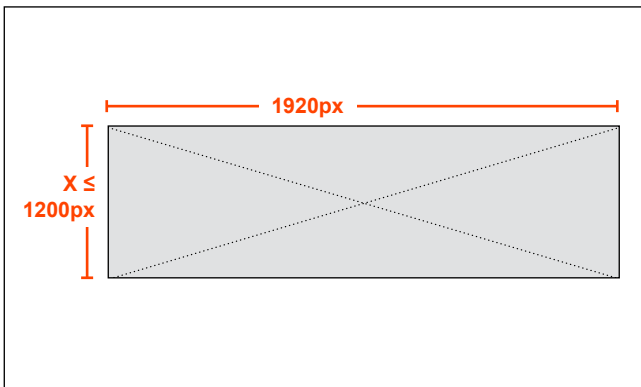


Fig. 3: Example for Panorama Formats